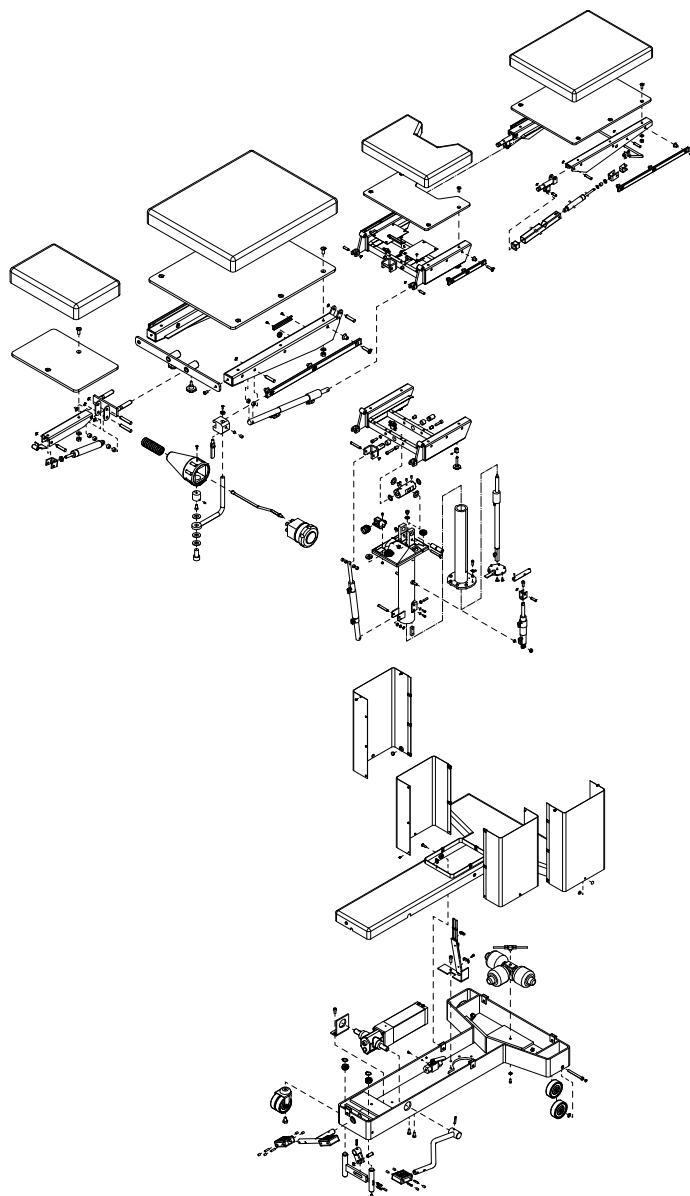


OP1700 OPERATING TABLE



o1030a.eps

Compiled by: Mika Similä
Approved by: Arto Koski-Laulaja

Type: **Parts catalog**
Document: **DO1030-2-1.en**

Complete: 12.6.2001
Version: 2-1 12.08.2012

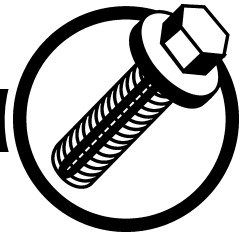


Merivaara Corp.
Puustellintie 2, FI 15150 LAHTI, FINLAND
Tel. +358 3 3394 611 • Fax +358 3 3394 6144
merivaara@merivaara.com

www.merivaara.com

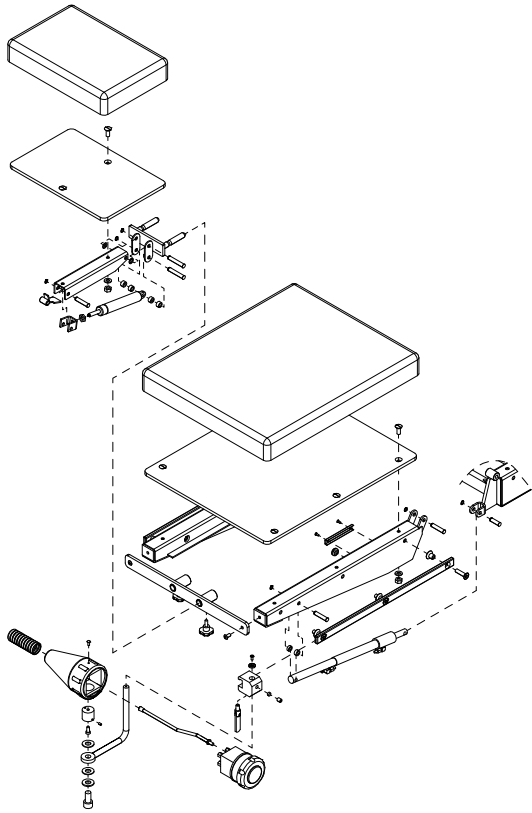


1. SPARE PARTS



1.1 Head and back section

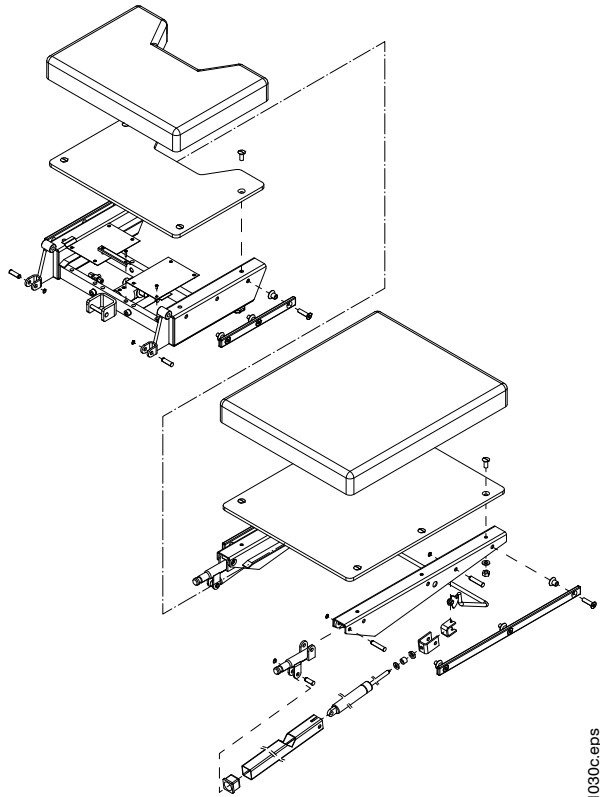
in page 4.



o1030b.eps

1.2 Seat and leg section

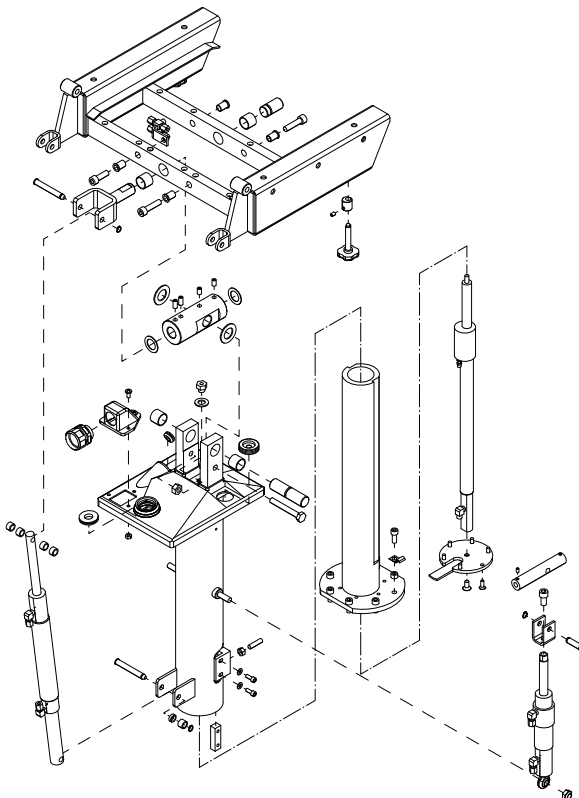
in page 7.



o1030c.eps

1.3 Centre section frame and support column

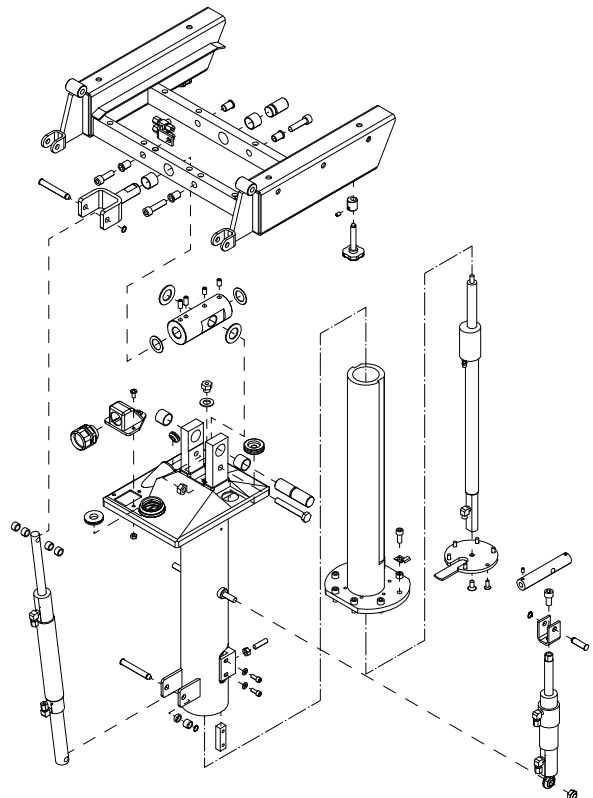
in page 9.



o1030d.eps

1.3 Centre section frame and support column (continue)

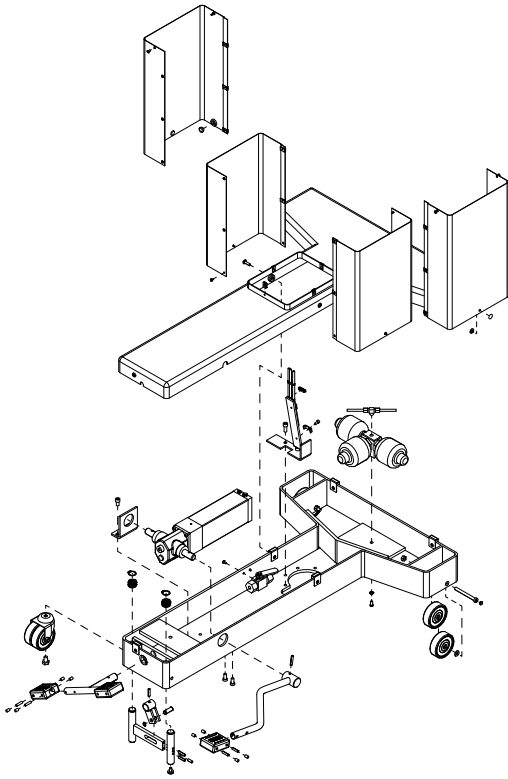
in page 12.



o1030d.eps

1.4 Frame and covers

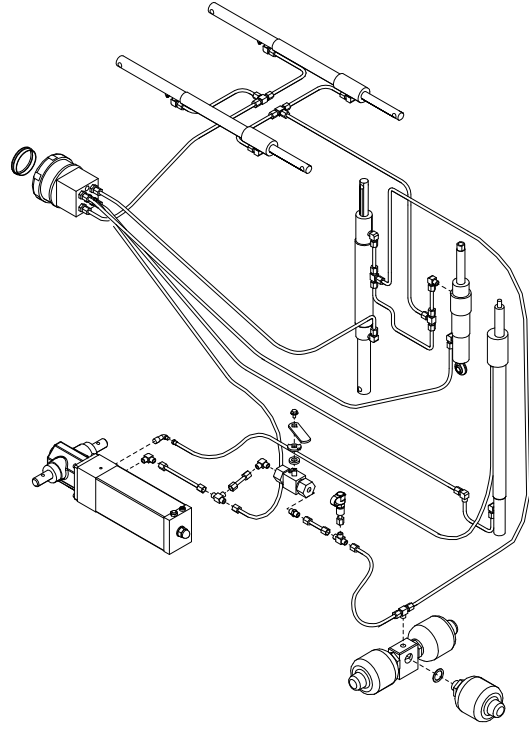
in page 14.



o1030e.eps

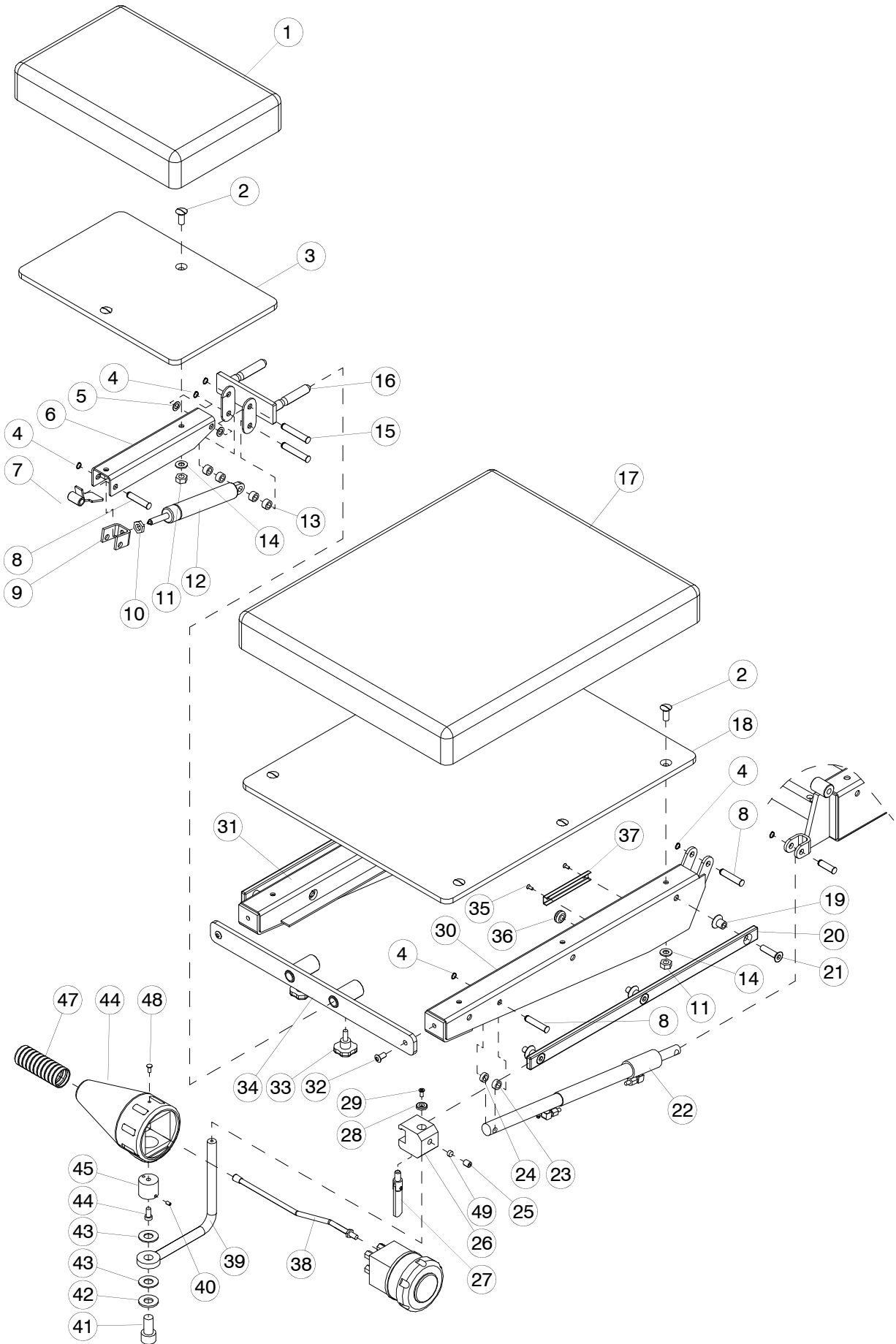
1.5 Hydraulics

in page 16.



o1030f.eps

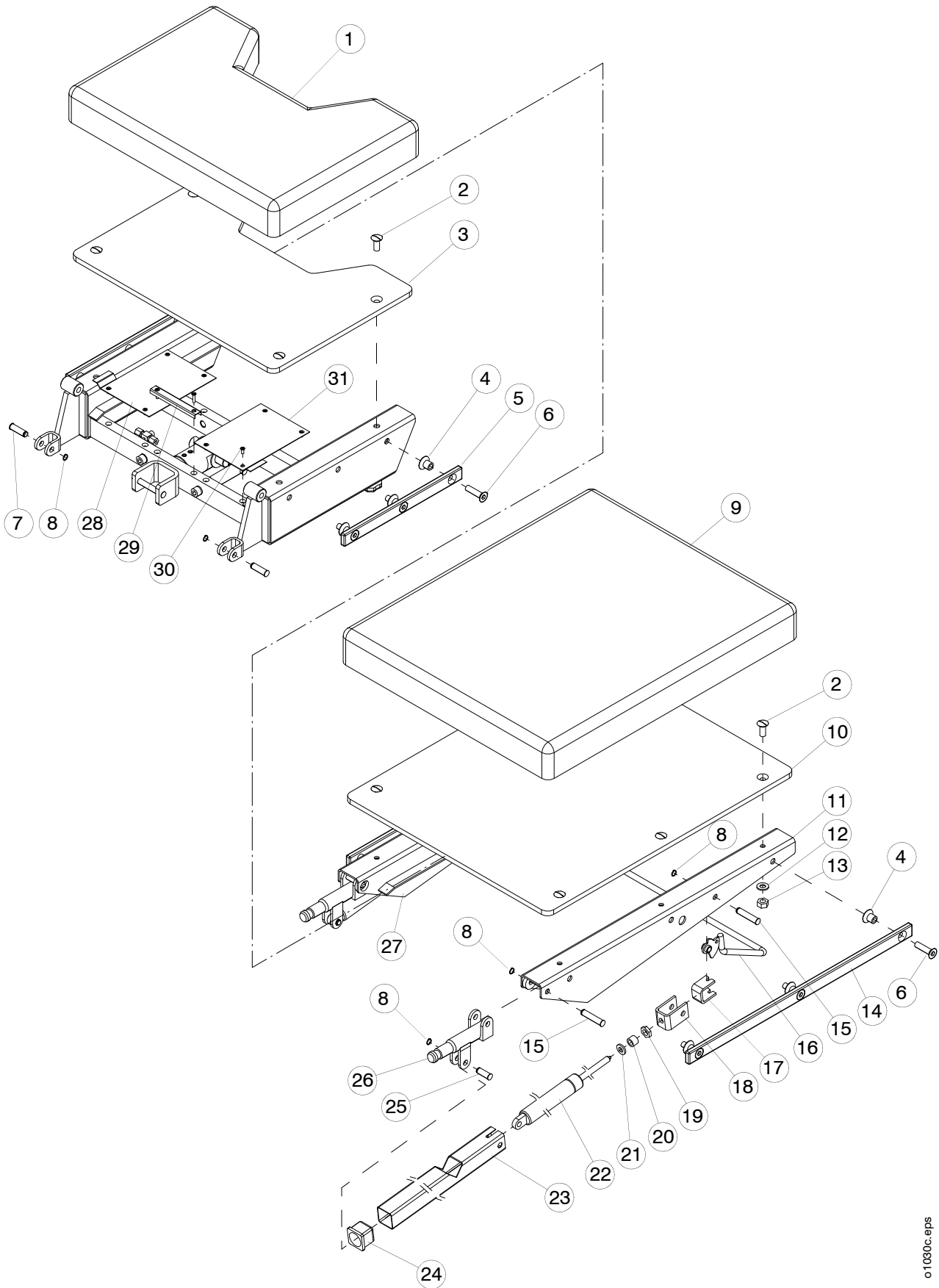
1.1 Head and back section



Part	Code	Part name	Number of parts in assembly	
			Additional information	
1	A42507500 A42508500	Head section mattress, wide Head section mattress, narrow	(old 713283) (old 713284)	1
2	A4628900	Slotted oval head screw	(Hex pin screw A4919400)	8
3	A42507400 A42508400	Top plate of head section, wide Top plate of head section, narrow	(old A3624000) (old A3636700)	1
4	707919	Retaining ring	DIN 471-10x1 A2	7
5	A4810800	Washer		2
6	A3623900	Profile		1
7	A47669A00	Release lever		1
8	A4761700	Pivot pin		5
9	A4767200	Mounting bracket		1
10		Nut	M10x1	3
11	707310	Nut	SFS 2068-M8 A2	8
12	71253	Gas spring	45 mm/320N	1
13	709877	Bushing		4
14	707721	Washer	DIN 6798-8,4 A2	2
15	A4770300	Pivot pin		2
16	A3623800	Mounting bracket		1
17	A42503100	Mattress of back section	(old 713281)	1
18	A42502700	Top plate of back section	(old A2424300)	1
19	A4857500	Washer sleeve		6
20	A4761600	Accessory rail		2
21	706655	Screw	DIN 7991-M8x40 A2	6
22	711565	Cylinder of back section		2
23	709877	Bushing		2
24	709872	Bushing		2
25	70921	Retaining screw	DIN 913-M10x12	1
26	A4577700	Joint part		1
27	A4516400	Tension screw		1
28	A4641800	Washer		1
29	70495	Screw	SFS 2978-M5x12	1
30	A2424100	Back section profile	Right side	1
31	A2424101	Back section profile	Left side	1
32	706381	Screw	ISO 7380-M8x16 A2	2
33	709614	Hand screw		2
34	A3624100	Adaptor		1
35	70473	Screw	SFS 2977-M4x10	4
36	715445	Bushing rubber		2
37	A4842101	Protective boxing		2
38	A2447301	Support tube		1
39	A3658700	Tie rod		1
40	706801	Retaining screw	DIN 914-M5x8	1
41	706424	Screw	DIN 7984-M16x35	1
42	A4843000	Washer		1
43	715301	Fiber plate		2
44	706341	Screw	DIN 7984-M8x16	1
45	A48429	Washer sleeve		1

46	71330183	Cover		1
47	71608	Protective tube		1
48	710877	Plug		1
49	A4577800	Friction rod		1

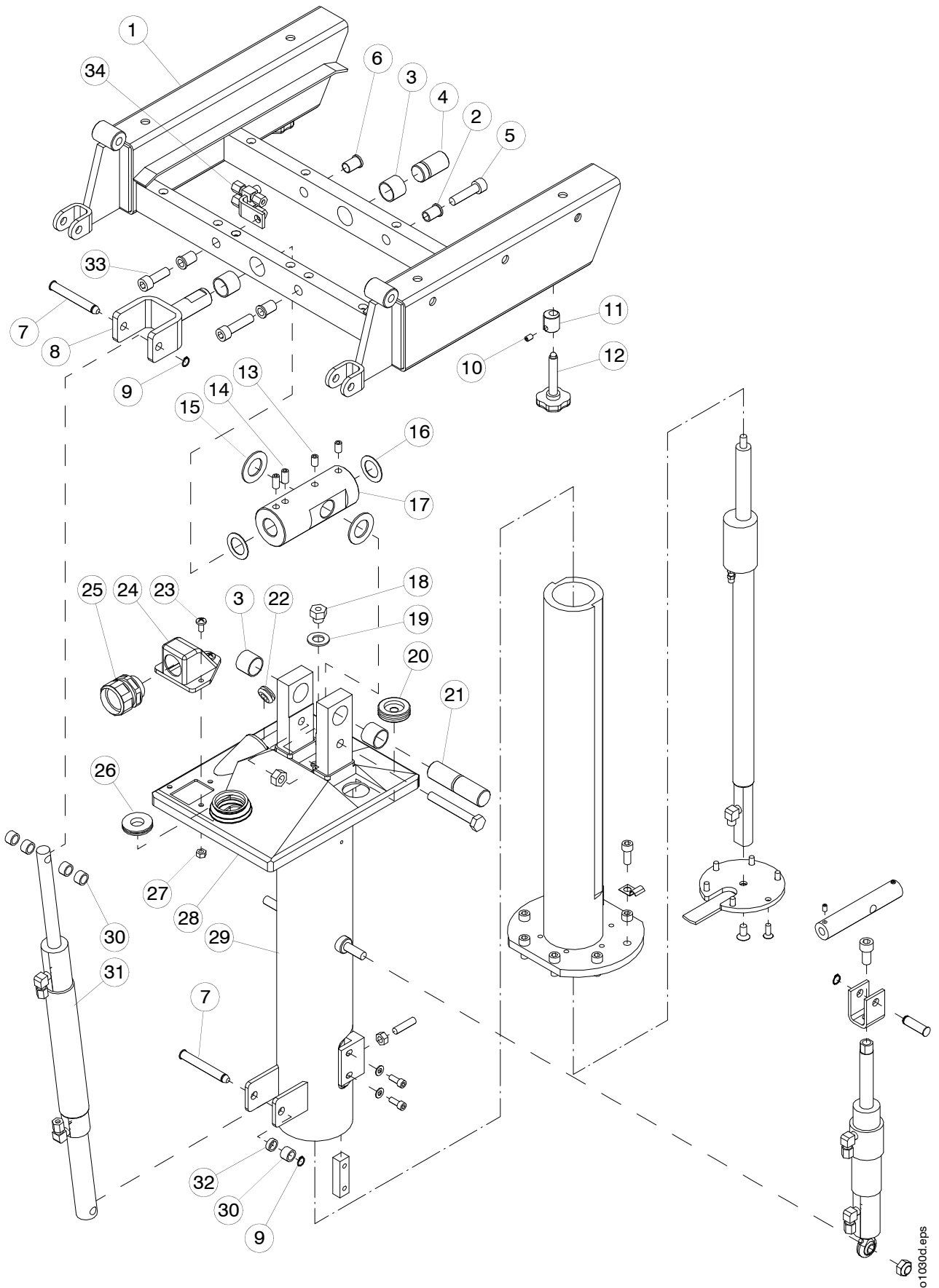
1.2 Seat and leg section



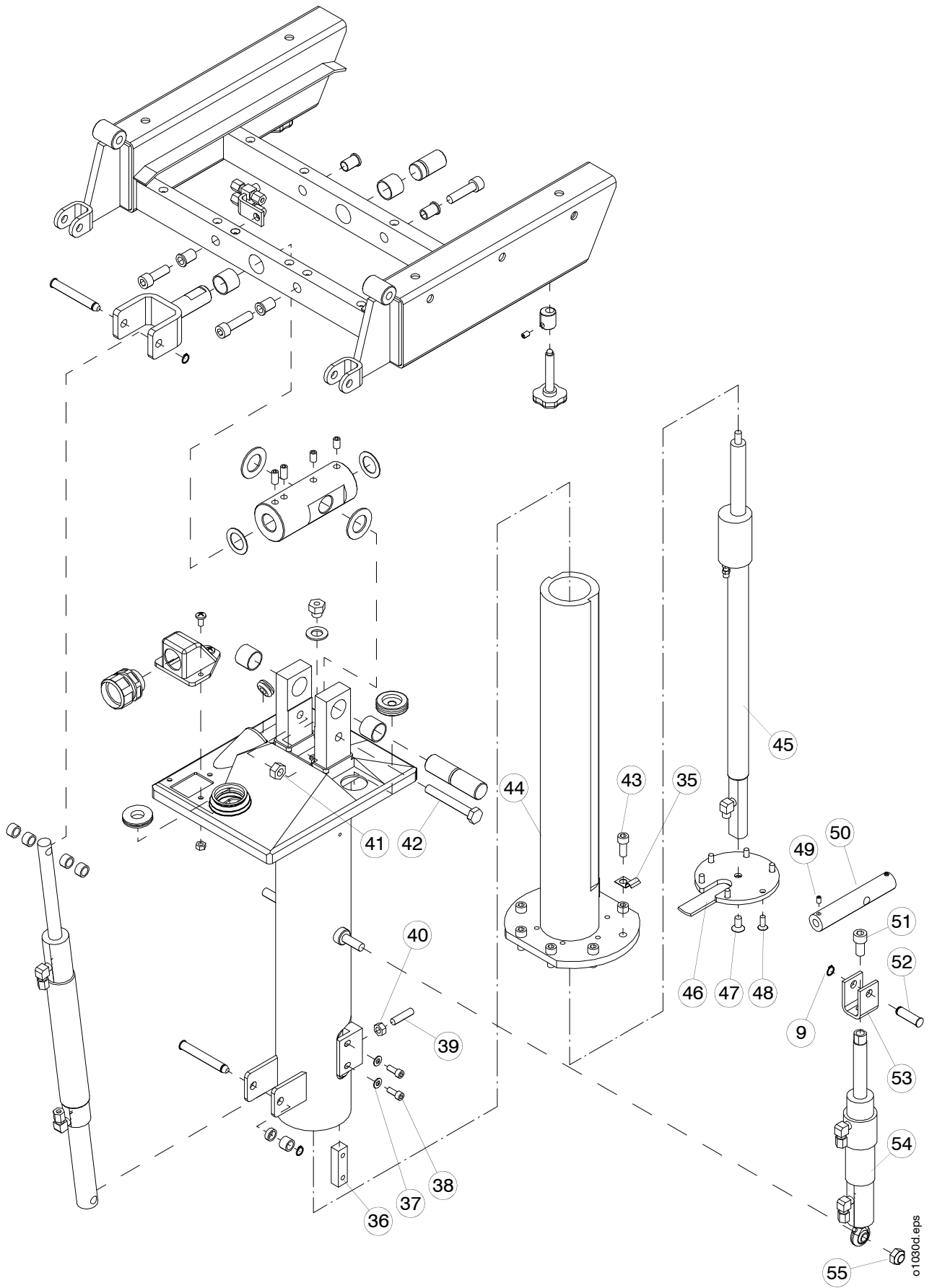
o1030c.eps

Part	Code	Part name	Number of parts in assembly	
			Additional information	
1	A42505900	Seat section mattress	(old 713282)	1
2	A4628900	Screw		10
3	A42505800	Top plate of seat section	(old A3622500)	1
4	A4857500	Washer sleeve		12
5	A4911200	Accessory rail		2
6	706655	Screw	DIN 7991-M8x40 A2	12
7	A4761800	Pivot pin		2
8	707919	Retaining ring	DIN 471-10x1 A2	8
9	A42503100	Leg section mattress	(old 713281)	1
10	A42502700	Top plate of leg section	(old A2424300)	1
11	A2435500	Leg section profile	Right side	1
12	707721	Washer	DIN 6798-8,4 A2	6
13	707310	Nut	SFS 2068-M8 A2	6
14	A4761600	Accessory rail		2
15	A4761700	Pivot pin		4
16	A3632000	Release lever		1
17	A33575A00	Ram mount		2
18	A33574A00	Mounting bracket		2
19		Nut	M10x1	2
20	709871	Bushing		2
21	710522	Bushing		2
22	712551	Gas spring	130 mm/420N	2
23	A3622800	Protective sleeve		2
24	709781	Protective sleeve bearing		2
25	A4760100	Pivot pin		2
26	A3622700	Mounting bracket		2
27	A2435501	Leg section profile	Left side	1
28	A3658300	Protective plate	Left side	1
29	A4842100	Protective boxing		1
30	70473	Screw	SFS 2977-M4x10	10
31	A3658301	Protective plate	Right side	1

1.3 Centre section frame and support column



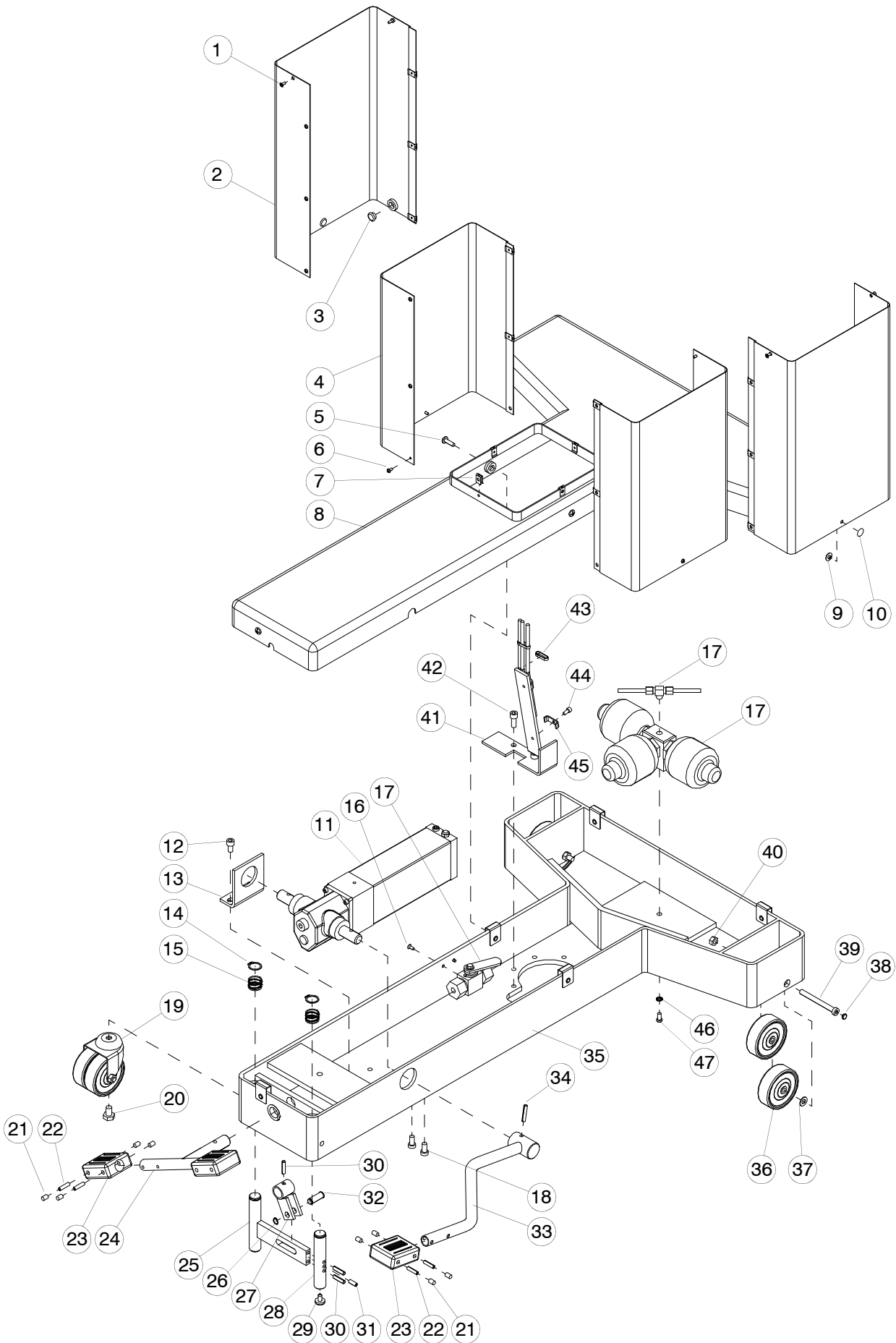
Part	Code	Part name	Number of parts in assembly	
			Additional information	
1	A1369300	Seat section frame		1
2	A4763300	Link bushing		3
3	715684	Slide bear		4
4	A4763100	Shaft		1
5	706461	Screw		2
6	70990	Plug		1
7	A4765100	Pivot pin		2
8	A4762800	Universal joint		1
9	70792	Retaining ring		3
10	706831	Retaining screw	DIN 916-M6x8	2
11	A4985500	Limiter		2
12	A4955500	Hand screw		2
13	706912	Retaining screw	DIN 914-M8x12	2
14	710869	Retaining screw	DIN 915-M8x16	2
15	A4768000	Washer		2
16	A4774700	Washer		2
17	A3622600	Centre universal joint		1
18	A4761100	Nut		1
19	710520	Washer	DIN 6916-13x24x3	1
20	715446	Bushing rubber		1
21	A4765300	Universal joint		1
22	715445	Bushing rubber		1
23	70453	Screw	SFS 2067-M5x16	3
24	71609	Angle flange		1
25	716091	Collar		1
26	A4845600	Gas spring sliding sleeve		1
27	70727	Nut	SFS 2067-M5	3
28	A13845A01	Protective hood		1
29	A1368300	Support column		1
30	709877	Bushing		5
31	711567	Cylinder of Trendelenburg		1
32	709873	Bushing		1
33	70646	Screw	SFS 2219-M10x30	1
34	A4840700	Tee pieces		1



o1030d.eps

Part	Code	Part name	Number of parts in assembly	
			Additional information	
35	A4858200	Hose fixing		2
36	A4582700	Support column wedge		2
37	70771	Washer	DIN 6798-6,4	4
38	70623	Screw	SFS 2219-M6x16	4
39	A4817600	Screw		2
40	70732	Nut	SFS 2067-M8	2
41	70733	Nut	SFS 2067-M10	1
42	70602	Screw	SFS 2063-M10x75	1
43	70635	Screw	SFS 2219-M8x20	6
44	A1368400	Flange tube		1
45	711564	Cylinder of support column		1
46	A4582800	Flange		1
47	70661	Screw	DIN 7991-M6x16	1
48	70657	Screw	DIN 7991-M8x16	6
49	70680	Retaining screw	DIN 914-M5x6	2
50	A4763200	Shaft		1
51	70644	Screw	SFS 2219-M10x20	1
52	A4761800	Pivot pin		1
53	A4780800	U-profile		1
54	711566	Cylinder of side tilt		1
55	70744	Nut	DIN 985-M10	1

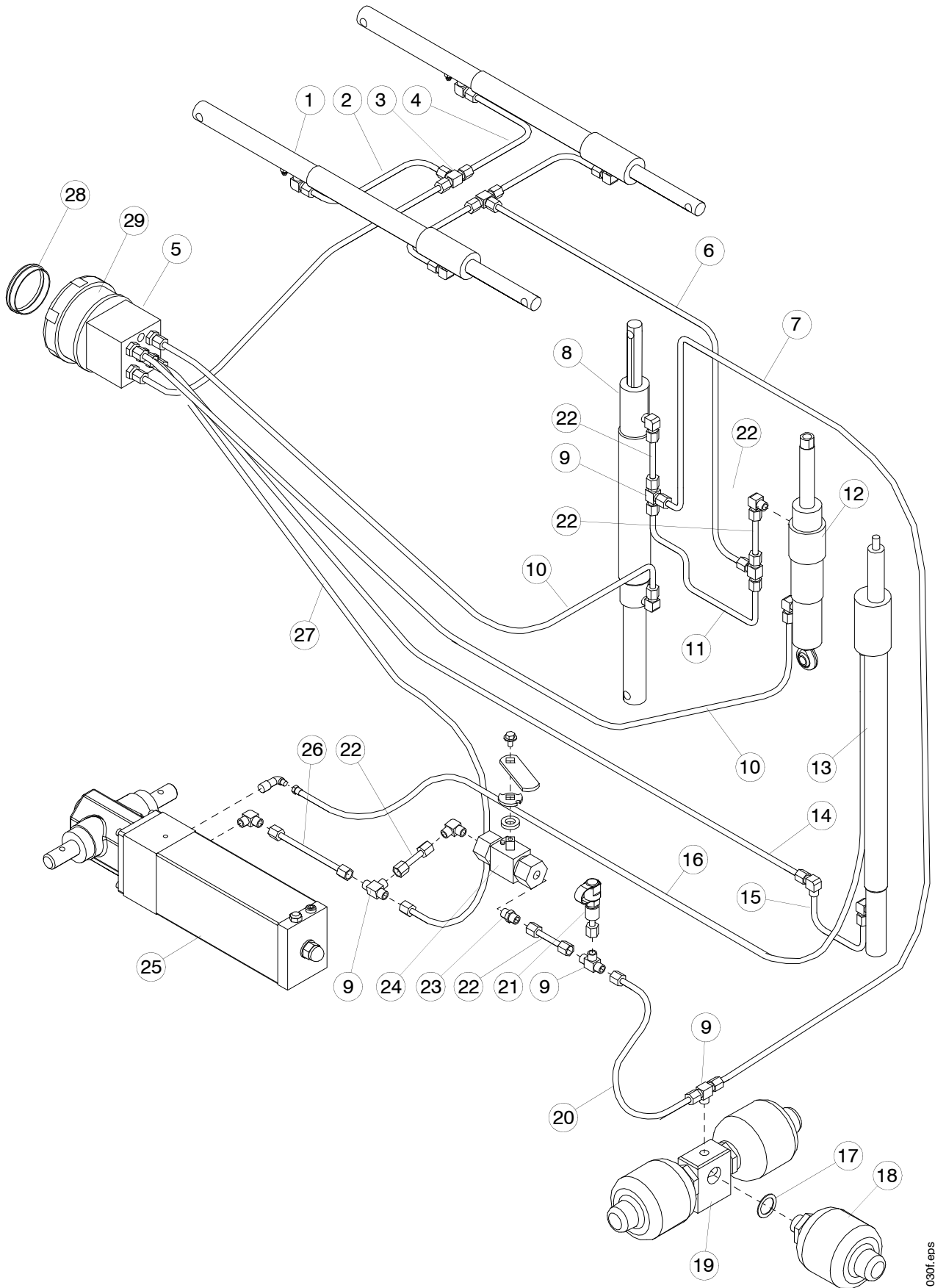
1.4 Frame and covers



o1030e.eps

Part	Code	Part name	Number of parts in assembly	
			Additional information	
1	706531	Screw	DIN 7991-M4x8	4
2	A2423900	Outer protective casing		2
3	709984	Plug		4
4	A243800	Inner protective casing		2
5	704652	Screw	SFS 2976-M6x20 A2	5
6	705211	Screw	SFS 2759-3,5x9,5 A2	14
7	70762	Nut		14
8	A1368100	Base casing		1
9	710874	Pin	Female	2
10	710873	Pin	Male	2
11	711563	Hydraulic pump		1
12	70632	Screw	DIN 912-M8x12	2
13	A3621200	Pump ear handle		1
14	707953	Retaining ring	DIN 471-20x1,2	2
15	711472	Spring		2
16	706541	Screw	DIN 7991-M5x10	2
17		Hydraulic parts	See section 1.5 in page 16.	
18	706341	Screw	SFS 2219-M8x16	2
19	71233	Turning castor		1
20	70598	Screw	SFS 2064-M10x25	1
21	709773	Covering plug		12
22	70810	Spring pin	DIN 1481-6x40	6
23	709772	Pedal pad		3
24	A3620800	Brake pedal		1
25	A4760000	Brake plate		1
26	707919	Retaining ring	DIN 471-10x1	1
27	A4759500	Brake lever		1
28	A4759800	Brake pin		2
29	71048	Plug		2
30	708081	Spring pin	DIN 1481-6x24	5
31	70688	Retaining screw	DIN 913-M6x16	2
32	A4760100	Pivot pin		1
33	A3621000	Pump pedal		1
34	70814	Spring pin	DIN 1481-8x32	1
35	A1368000	Frame		1
36	712329	Castor		4
37	707781	Washer	DIN 125-M8	2
38	710879	Covering plug		2
39	7064112	Screw	DIN 7984-M8x80	2
40	70732	Nut	SFS 2067-M8	2
41	A3658200	Hose guide		1
42	70637	Screw	SFS 2219-M8x25	2
43	A4841900	Bundler		3
44	706112	Screw	SFS 2219-M4x12	2
45	A4841600	Hose fixing		2
46	707721	Washer	DIN 6798-J8,2	1
47	706341	Screw	DIN 7984-M8x16	1

1.5 Hydraulics



o1030f.eps

Part	Code	Part name	Number of parts in assembly	
			Additional information	
1	711565	Cylinder of back section		2
2	715952	Hydraulic hose		2
3	A4840700	Tee piece		2
4	715951	Hydraulic hose		2
5	711568	Selection valve		1
6	71612	Hydraulic hose		1
7	71619	Hydraulic hose		1
8	711567	Cylinder of Trendelenburg		1
9	71474	Tee piece		5
10	715953	Hydraulic hose		2
11	71611	Hydraulic hose		1
12	711566	Cylinder of side tilt		1
13	711564	Cylinder of height adjustment		1
14	71621	Hydraulic hose		1
15	715954	Hydraulic hose		1
16	A4998400	Hydraulic tube		1
17	714653	Copper seal		3
18	714972	Hydraulic accumulator		3
19	A4966000	Mounting bracket		1
20	71613	Hydraulic hose		1
21	714761	Measuring coupling		1
22	A4840500	Hydraulic tube		4
23	71467	Extension coupling		1
24	A4500700	Ball valve		1
25	711563	Hydraulic pump		1
26	A4840400	Hydraulic tube		1
27	71620	Hydraulic hose		1
28	710213	Plug		1
29	711768	Sticker		1

